

LEGEND

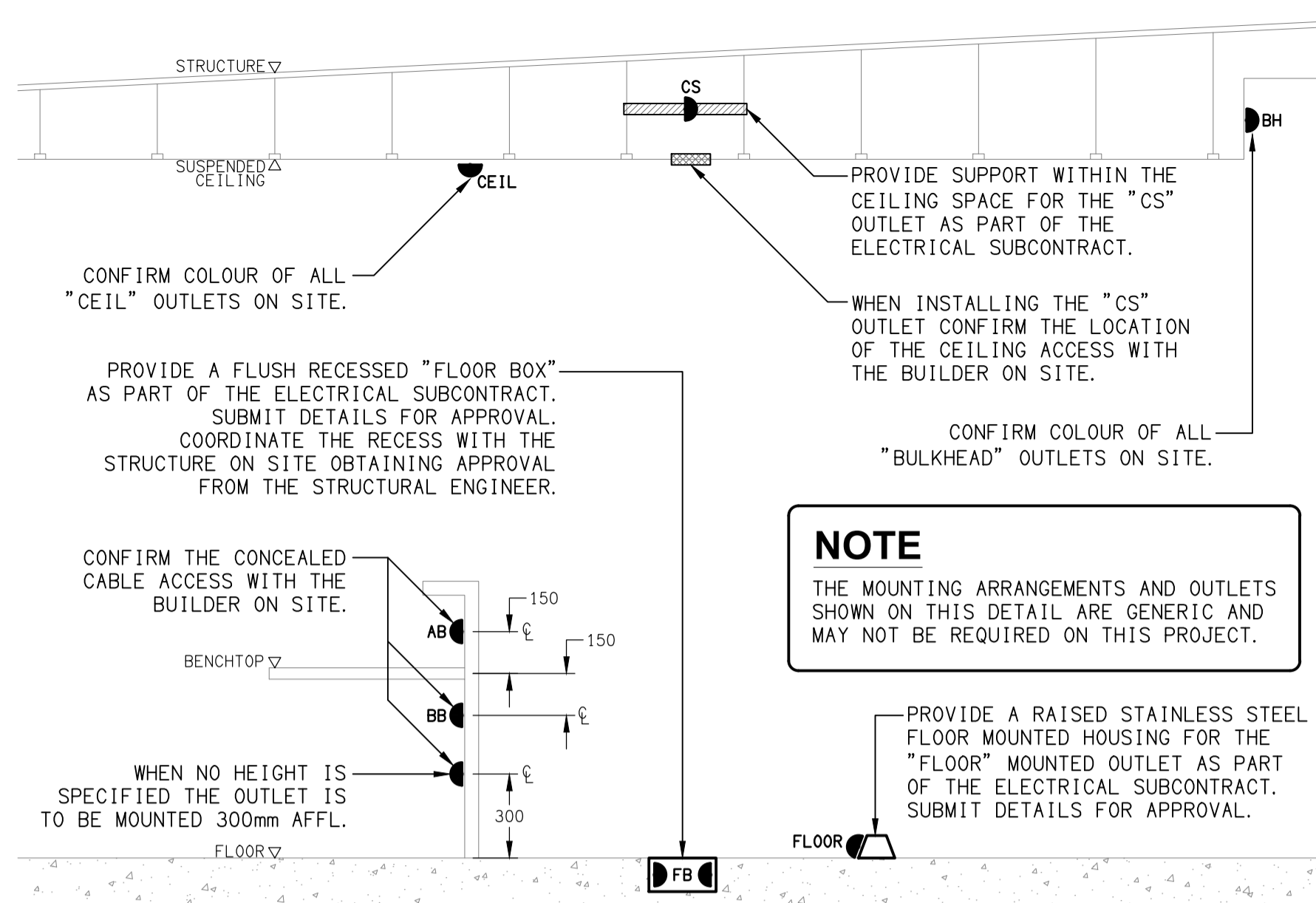
- ELECTRICAL SERVICES SWITCHBOARD.
- SWITCHBOARD / CONTROL PANEL NOT PROVIDED AS PART OF THE ELECTRICAL SUBCONTRACT.
- SINGLE POWER OUTLET.
- DOUBLE POWER OUTLET.
- SPECIAL PURPOSE POWER OUTLET.
- SINGLE PHASE ISOLATOR.
- THREE PHASE ISOLATOR.
- JUNCTION BOX.
- CONDUIT ROUTE.
- x DENOTES CONDUIT TYPE.
- ELECTRICAL PIT, TYPE AS NOTED.
- ELECTRICAL FLOOR BOX.
- HAND DRYER CONNECTION.
- LIGHTING PRESENCE DETECTOR SWITCH.
- LIGHTING CONTROL SWITCH PANEL.
- ONE-WAY LIGHT SWITCH.
- TWO-WAY LIGHT SWITCH.
- CIRCUIT LINE.
- SWITCH LINE.
- DB-x - Py POWER CIRCUIT DESIGNATION. DENOTES DB AND CIRCUIT.
- LIGHTING CONTROL CHANNEL REFERENCE.
- MAIN DISTRIBUTION FRAME.
- ELECTRICAL EQUIPMENT AS NOTED.
- RJ45 COMMUNICATIONS OUTLET.
- ACCESS CONTROL EXIT PUSH BUTTON.
- PA MULTI-TAP CONE SPEAKER.
- FIRE EVACUATION SPEAKER.
- FIRE INDICATOR PANEL.
- FIRE DOOR INTERFACE.
- FIRE ALARM HORN.
- THERMAL DETECTOR.
- MANUAL CALL POINT.
- SMOKE DETECTOR.
- WARDEN INTERCOM POINT.
- CAMERA.
- TELEVISION, TYPE AS NOTED.
- LECTURN AND MUSIC CONNECTIONS.
- KEY PAD FOR AV CONTROL, TYPE AS NOTED.
- PROJECTOR, TYPE AS NOTED.

LEGEND

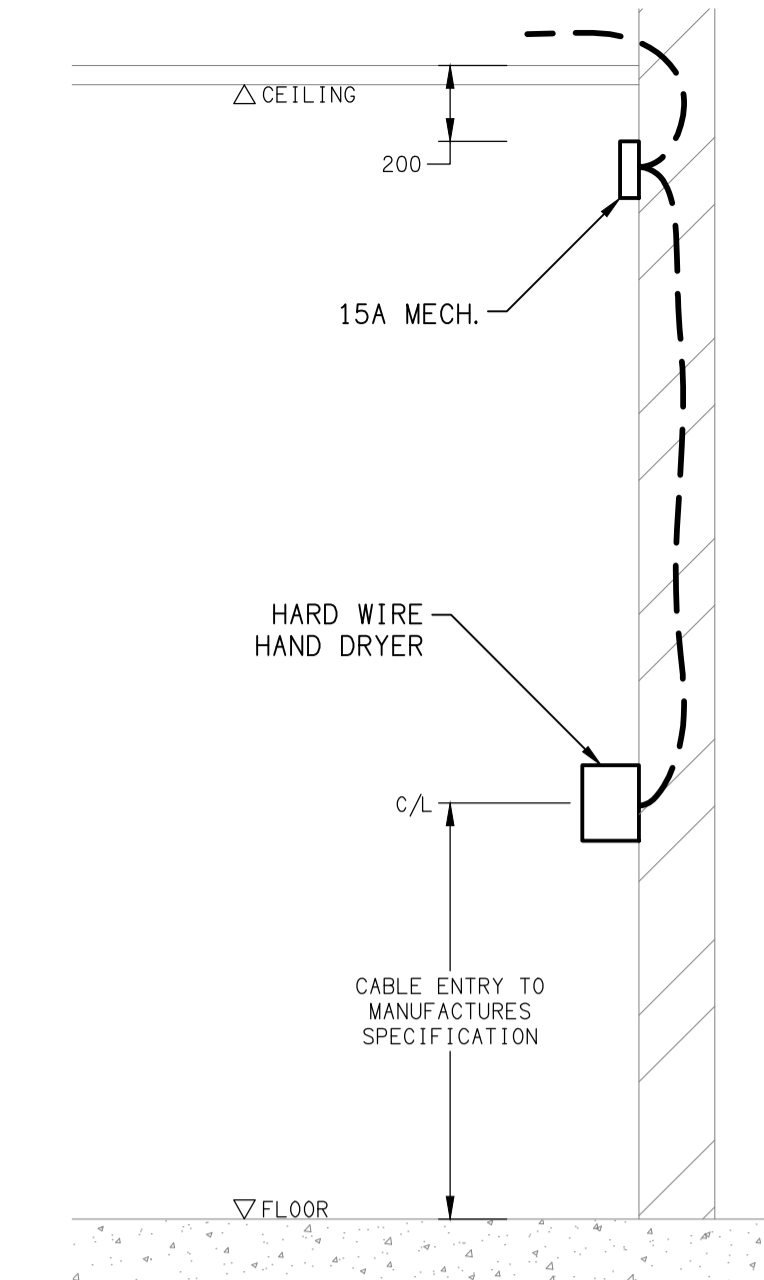
- SPEAKER NICHE.
- AUDIO VISUAL OUTLETS, TYPE AS NOTED.
- FUSE.
- SINGLE PHASE.
- THREE PHASE.
- CURRENT TRANSFORMER C/W REMOVABLE LINK.
- FUSE LINK.
- COMBINED FUSE SWITCH.
- CIRCUIT BREAKER.
- ISOLATOR.
- RESIDUAL CURRENT DEVICE.
- CONTACTOR - NORMALLY OPEN.
- CONTACTOR - NORMALLY CLOSED.
- REFER TO DETAIL NOTED FOR THE AREA SHOWN HATCHED. ADDITIONAL OUTLETS & FITTINGS MAY BE SHOWN ON DETAIL.
- E1: GENERAL LED EMERGENCY LIGHT.
- EX: EMERGENCY LED EXIT LIGHT.
- Lx: LIGHT FITTING TYPE Lx.
- SPx: SPOT LIGHT TYPE Sx.
- Sx: LED STRIP LIGHT TYPE Sx.
- Wx: WALL LIGHT TYPE Wx.
- Tx: TROFFER LIGHT FITTING TYPE Tx.
- CPx: CARPARK POLE LIGHT TYPE CPx.
- CBx: CARPARK BOLLARD LIGHT TYPE CBx.
- Px: PENDANT LIGHT FITTING TYPE Px.
- Dx: DOWNLIGHT TYPE Dx.

NOTE

ALL ELECTRICAL PENETRATIONS THROUGH THE ROOF SHEETING ARE TO BE IN LINE WITH THE STRUCTURAL OR MECHANICAL SERVICES PENETRATIONS TO AVOID DEDICATED FLASHINGS FOR THE ELECTRICAL SERVICES.



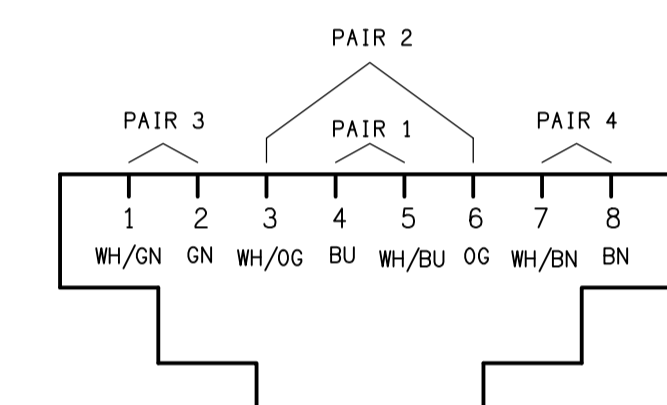
DETAIL
TYPICAL OUTLET MOUNTINGS
NOT TO SCALE



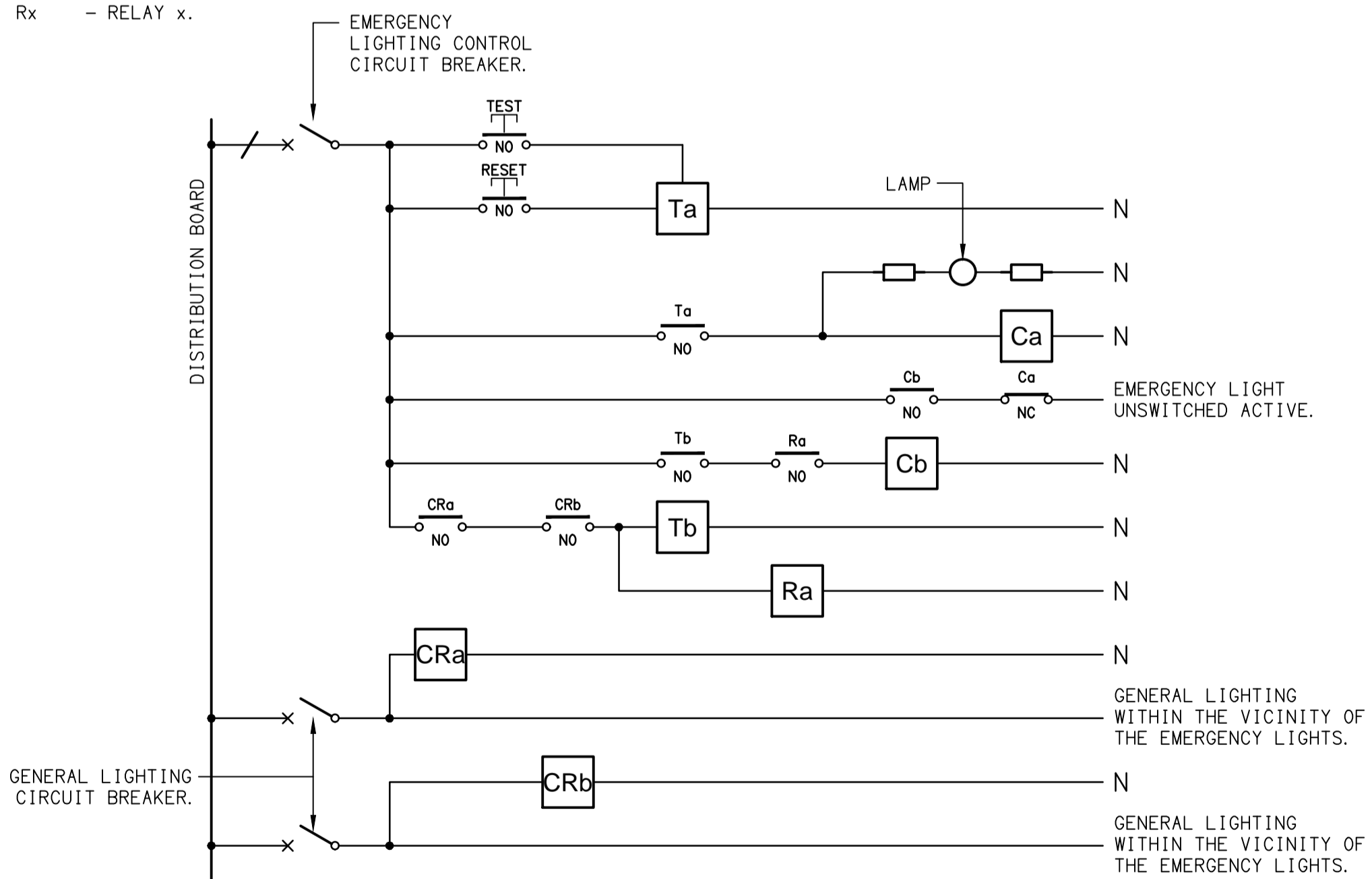
DETAIL
HAND DRYER CONNECTION
NOT TO SCALE

EQUIPMENT:

- TEST - TEST PUSH BUTTON MOUNTED ON THE DISTRIBUTION BOARD ESCUTCHEON.
- RESET - RESET PUSH BUTTON MOUNTED ON THE DISTRIBUTION BOARD ESCUTCHEON.
- LAMP - AMBER TEST INDICATING LAMP MOUNTED ON THE DISTRIBUTION BOARD ESCUTCHEON.
- Ta - ADJUSTABLE 0-3 HOUR TIMED RELAY.
- Tb - 15 MINUTE RUN-ON TIMER TO OPERATE UPON THE RETURN OF MAINS POWER.
- Cx - CONTACTOR x.
- CRx - CONTROL RELAY x.
- Rx - RELAY x.



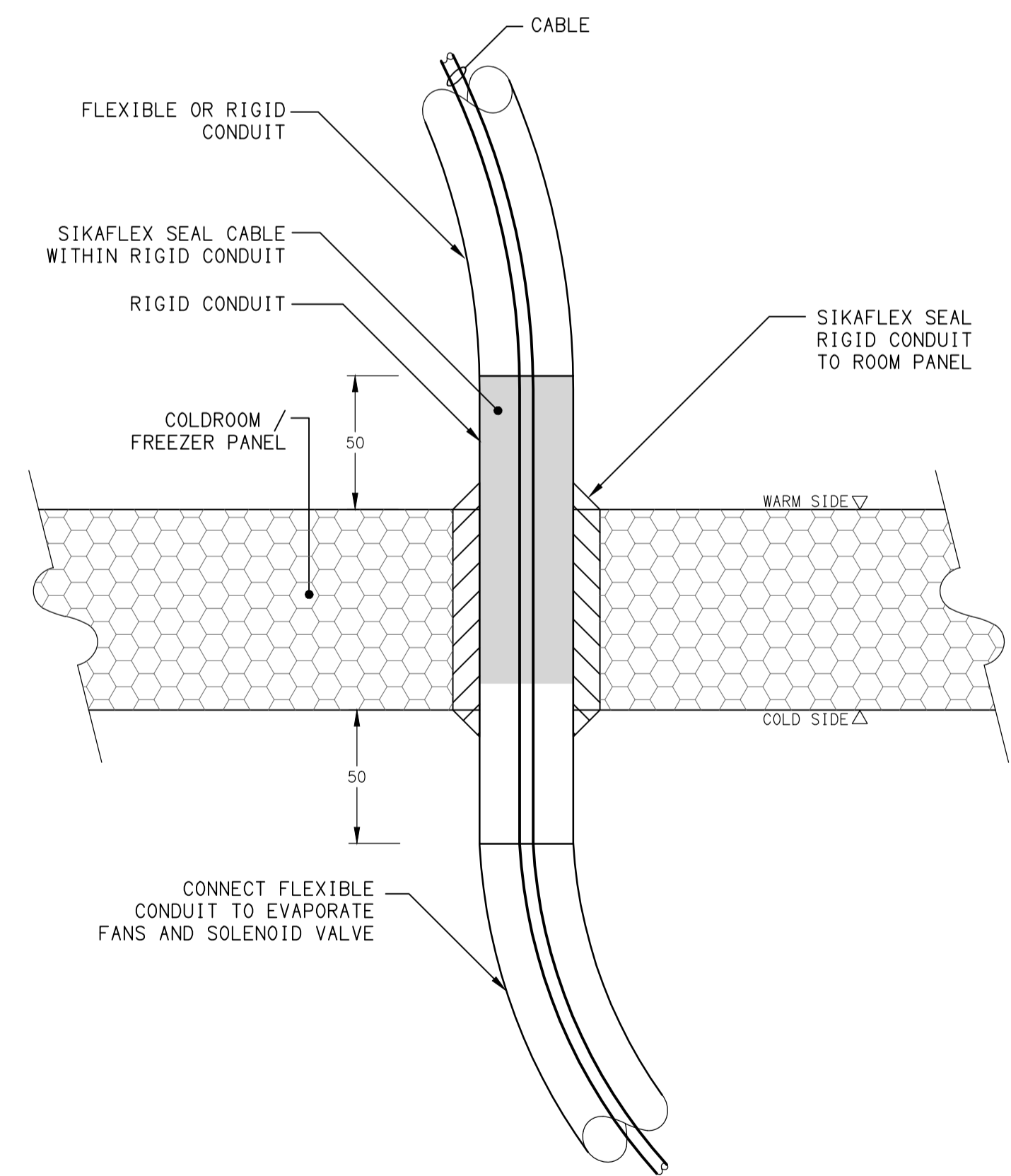
SCHEMATIC
RJ45 PINOUT CONFIGURATION
NOT TO SCALE



SCHEMATIC
EMERGENCY LIGHTING
NOT TO SCALE

NOTES

1. THE EMERGENCY LIGHT UNSWITCHED ACTIVE / GENERAL LIGHTING SWITCHED ACTIVE CIRCUIT ARRANGEMENT AND CONTROL IS TYPICAL FOR ALL CIRCUITS SUPPLYING EMERGENCY LIGHTS.
2. PROVIDE ADDITIONAL CONTROL RELAYS (CRx) CONFIGURED AS PER CRa AND CRb FOR ALL ADDITIONAL LIGHTING CIRCUITS THAT SUPPLY LIGHTS IN THE VICINITY OF THE EMERGENCY LIGHTS.



DETAIL
COOL ROOM CONDUIT PENETRATION
NOT TO SCALE

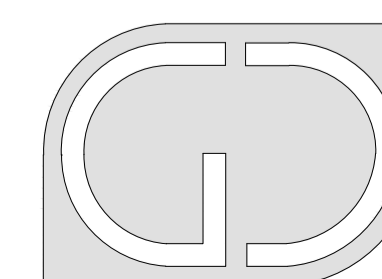
REV	DATE	DESCRIPTION
D	18/01/2022	PRELIMINARY

ELECTRICAL DESIGN GROUP
ELECTRICAL BUILDING SERVICES CONSULTANTS
BRISBANE GOLD COAST
P.O. Box 15, Sherwood Q. 4075
Phone: (07) 3278 4375
Email: brisbane@edg.net.au
Web: www.edg.net.au

CLIENT
T.S BURSTOW FUNERALS
BURSTOWS
Funeral Care Since 1900

PROJECT
BURSTOWS FUNERAL PARLOUR - STAGE 3
1020 RUTHVEN STREET, TOOWOOMBA

DRAWING TITLE
ELECTRICAL SERVICES LEGEND & DETAILS



G+D GROUP (QLD)
Level 3 Toowong Terraces
31 Sherwood Road Toowong Q 4066
T (07) 3870 3722
F (07) 3870 3822
E admin@gdgroupqld.com.au

DATE	
SCALE	N.T.S A1
DRAWN	AT
CHECKED	

C2221a
EDG PROJECT No.
E01 D
EDG DWG No. REV